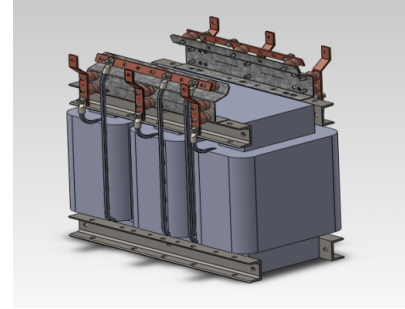


**PRODUCT CARD**

ORDER CODE	MTIC375HV1
PRODUCT WEIGHT (Kg)	~1083

**TRANSFORMER**

STOCK CODE	1012900575
TRANSFORMER POWER	375 kVA
INPUT - OUTPUT TYPE	Y - Y
POWER FACTOR	PF 1
INPUT VOLTAGE	220 VAC Ph+N / 380 VAC Ph+Ph
OUTPUT VOLTAGE	220 VAC Ph+N / 380 VAC Ph+Ph
SIZE(mm)(WxHxD)	970 x 600 x 500
FREQUENCY	50 Hz
WIRE TYPE	ALUMINIUM
WEIGHT (Kg)	~975



**CHASSIS**

CHASSIS CODE	MKGT0005-FMP
SIZE(mm)(WxHxD)	1200 x 1100 x 800
MECHANICAL PROTECTION CLASS	IP20
WEIGHT (Kg)	~108

