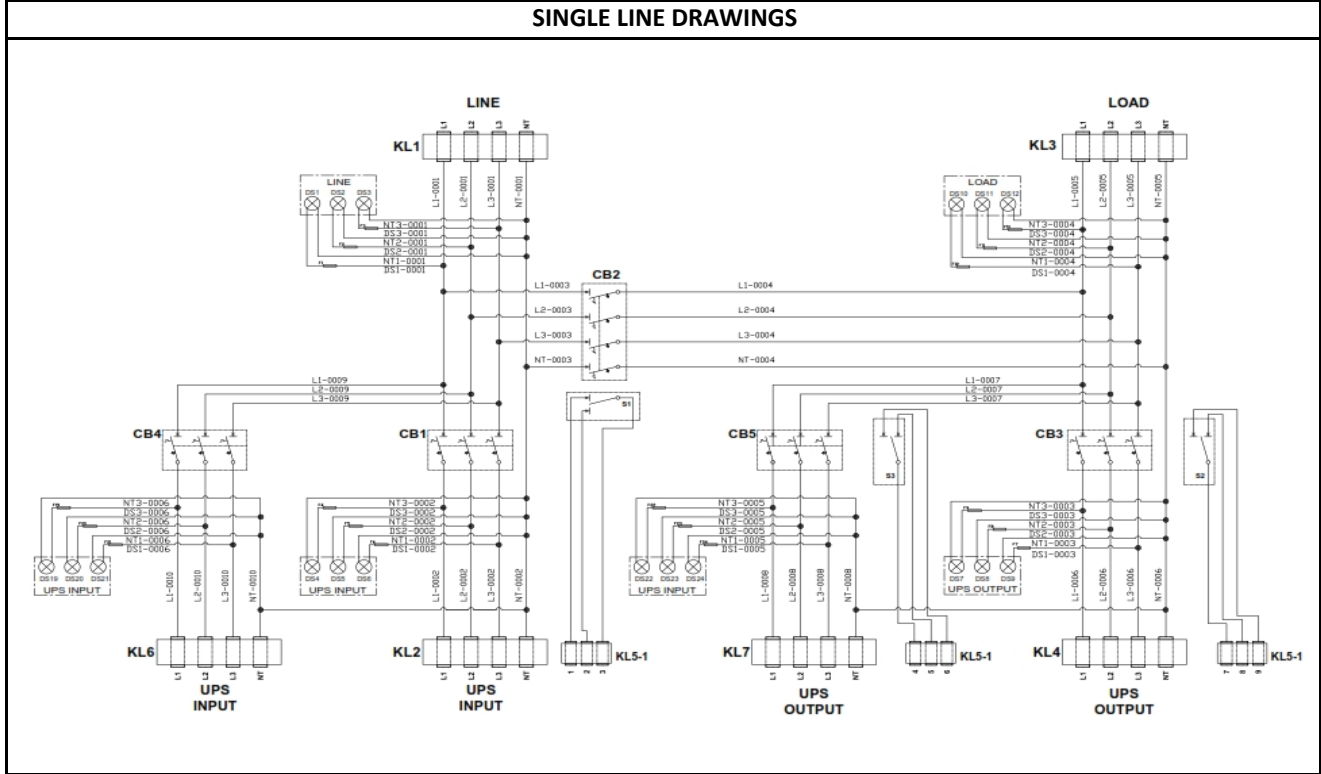


PRODUCT CARD			
PRODUCT MODEL	MSBP0040A02HV1-TM3		
PRODUCT WEIGHT (Kg)			
DESCRIPTION	40A 02 UPS NONE ANALYZER INPUT-OUTPUT=3 POLE BY PASS=4 POLE		
FEATURES			
KEY TYPE	THERMAL MAGNETIC CIRCUIT BREAKER	UPS QUANTITY	2
POWER ANALYZER	NO	POWER LAMP.	YES
BRAND	CHINT		



PANEL				
PANEL CODE	MKSBP0019	PANEL WEIGHT(Kg)		
SIZE(mm)(WxHxD)	500 x 700 x 200	ASSEMBLY SIZE(mm)(WxHxD)		568 x 745 x 223
USED RECORDS	PG 29	5 PIECE	PG 42	2 PIECE

